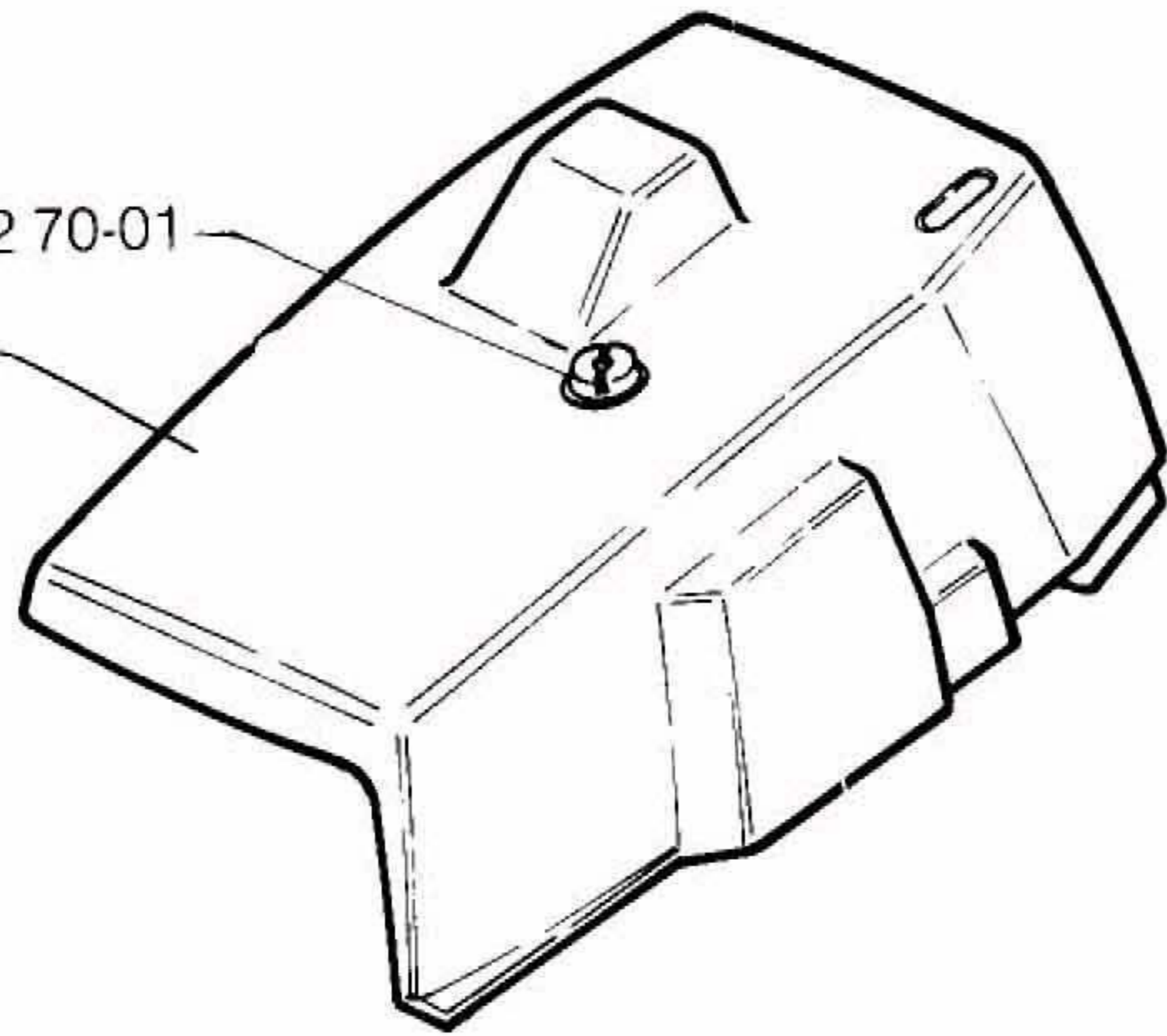
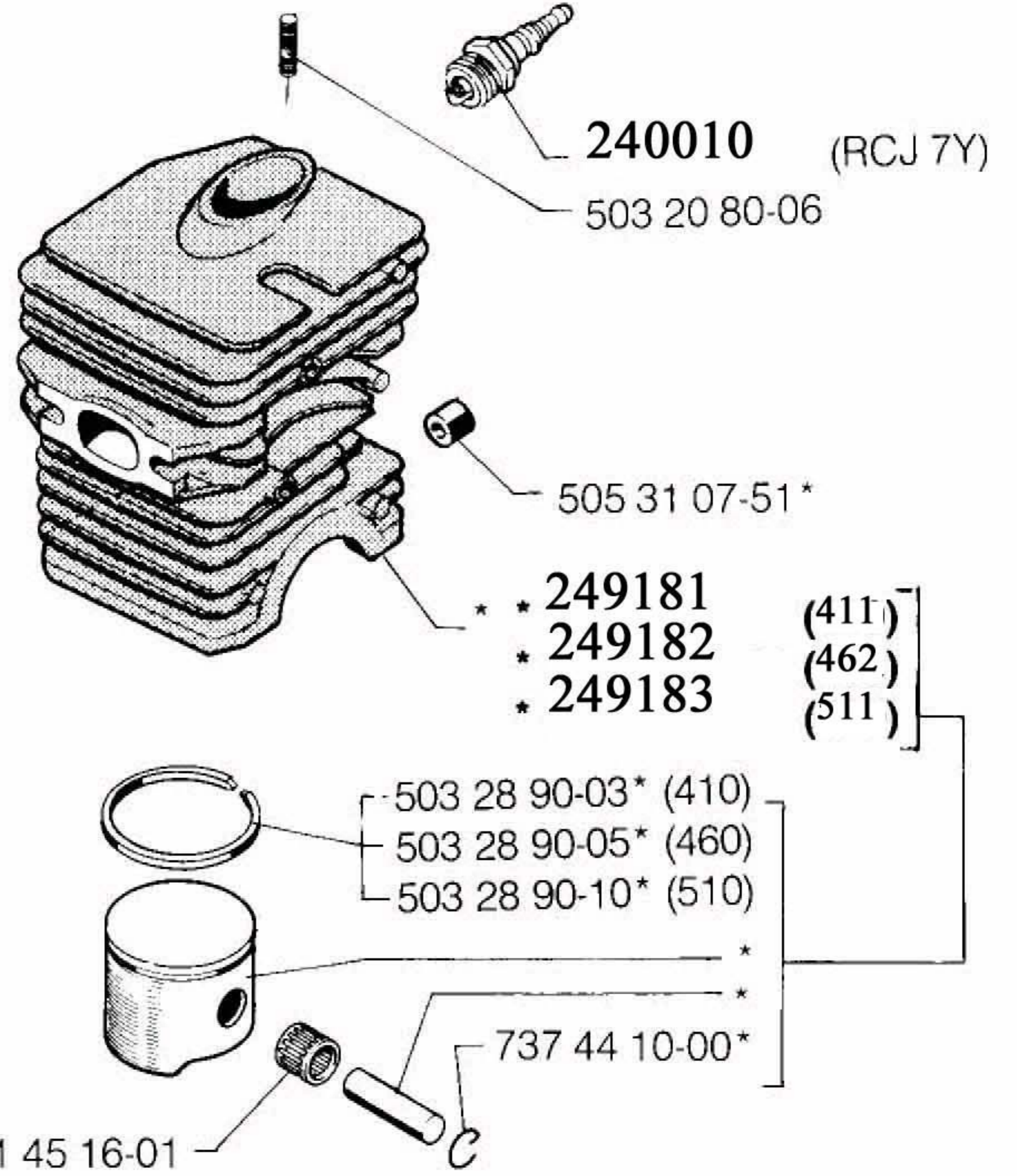


**C****\*compl 242478**

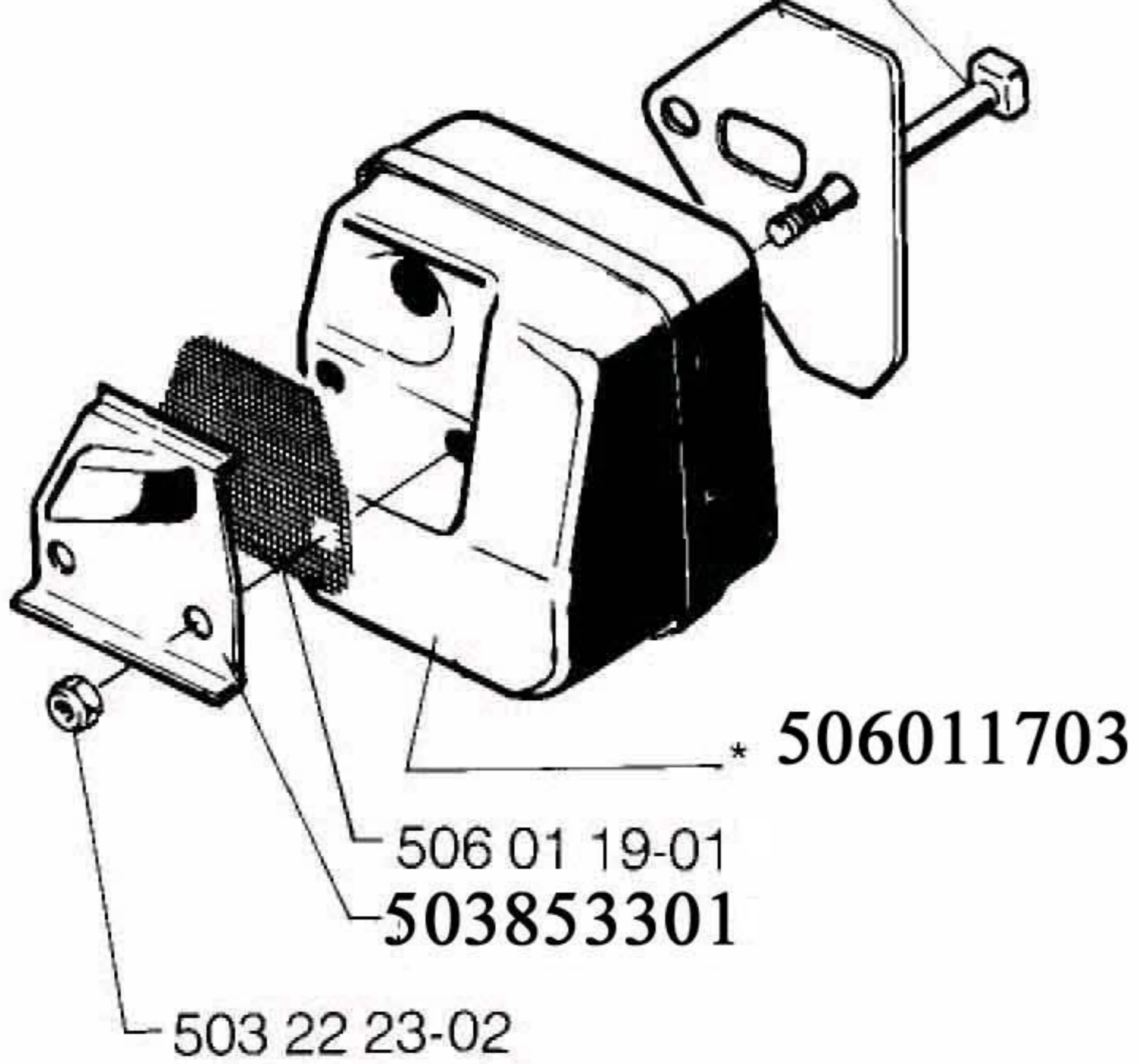
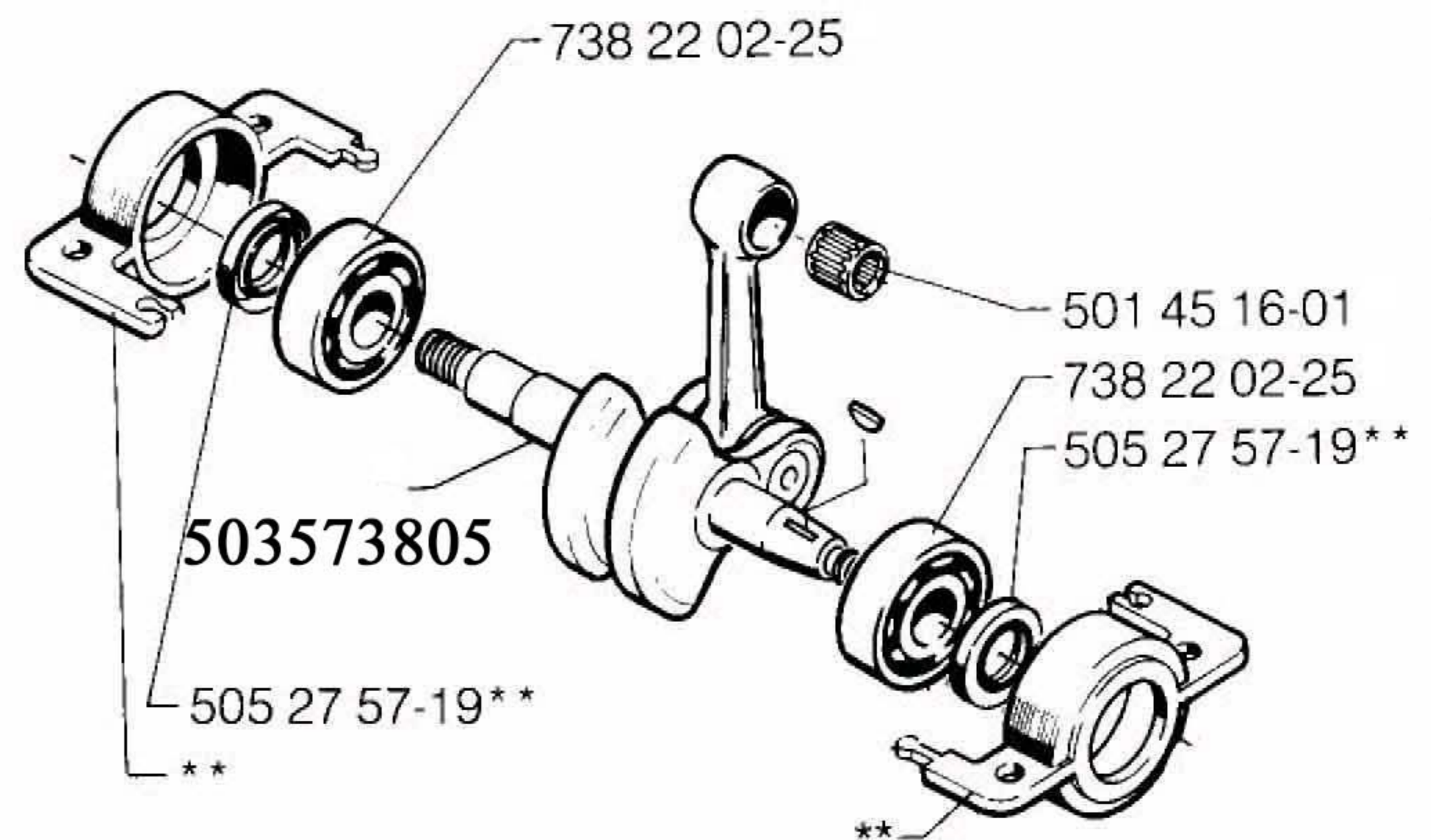
\* 503 22 70-01

\*

**D****\* compl 506 01 06-07** (411 Ø 40 mm)**\* compl 503 44 08-02** (462 Ø 42 mm)**\* compl 503 62 55-02** (511 Ø 44 mm)**E**

503 21 82-01

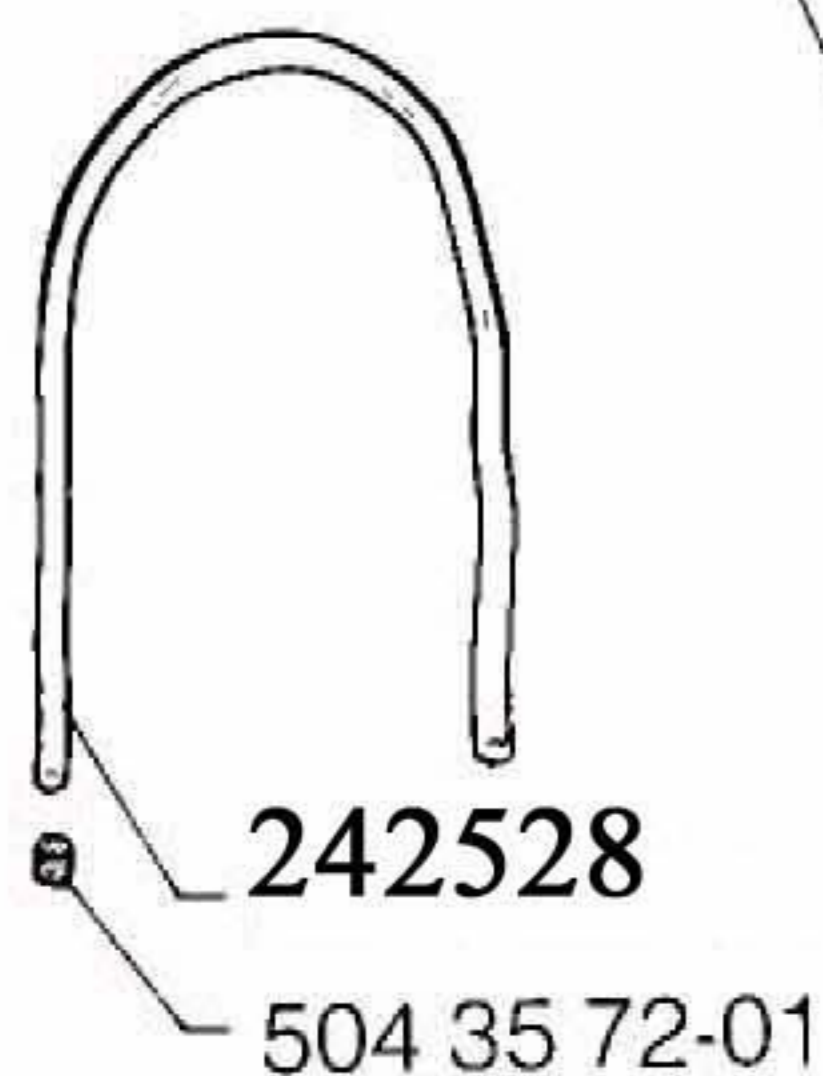
503 48 24-01

**F****\*\*compl 506 05 65-02****G****\*compl 503498201**

503 49 25-01

503 21 32-16

242527



503 44 32-01

**P**

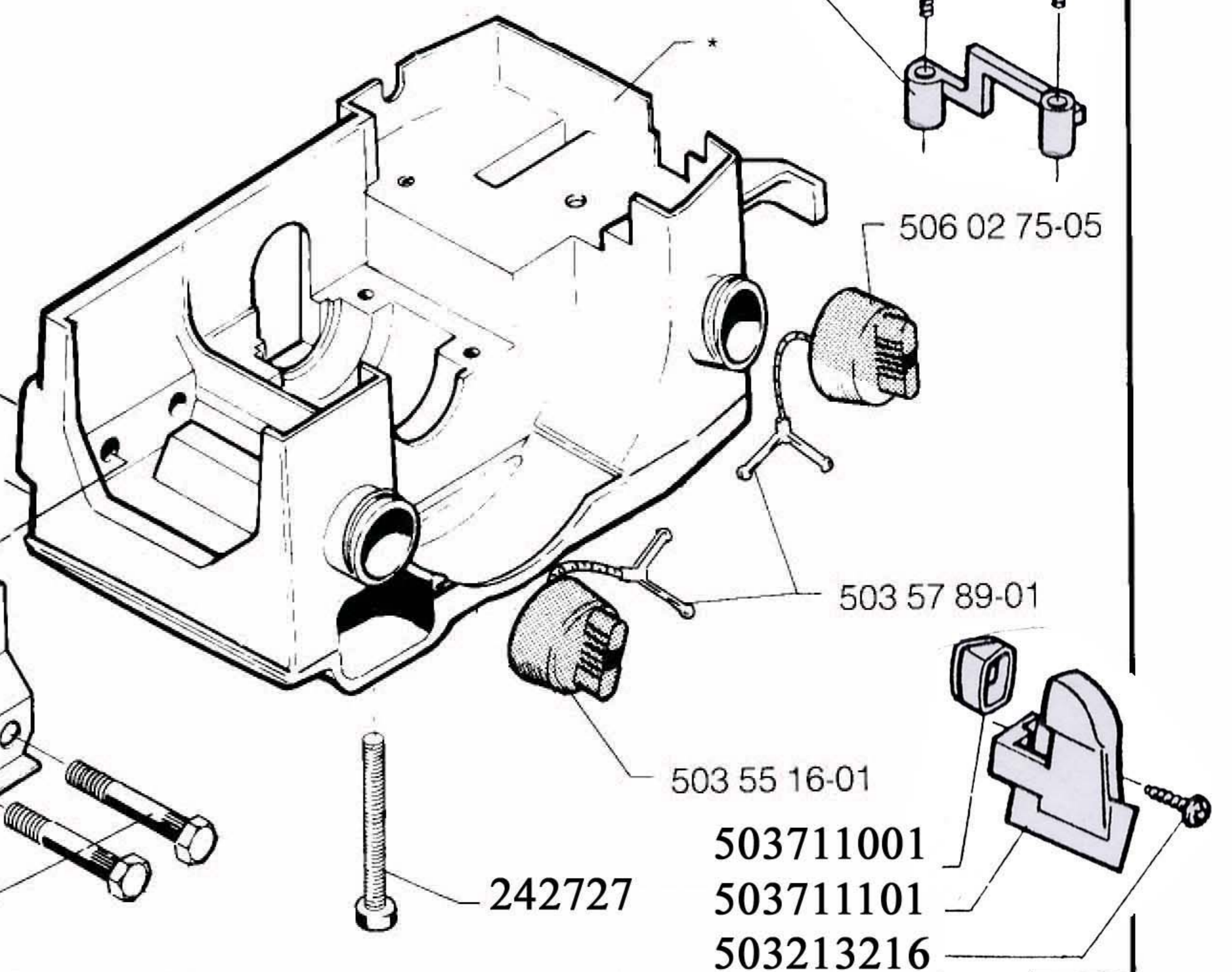
506 03 16-03

\* 242499

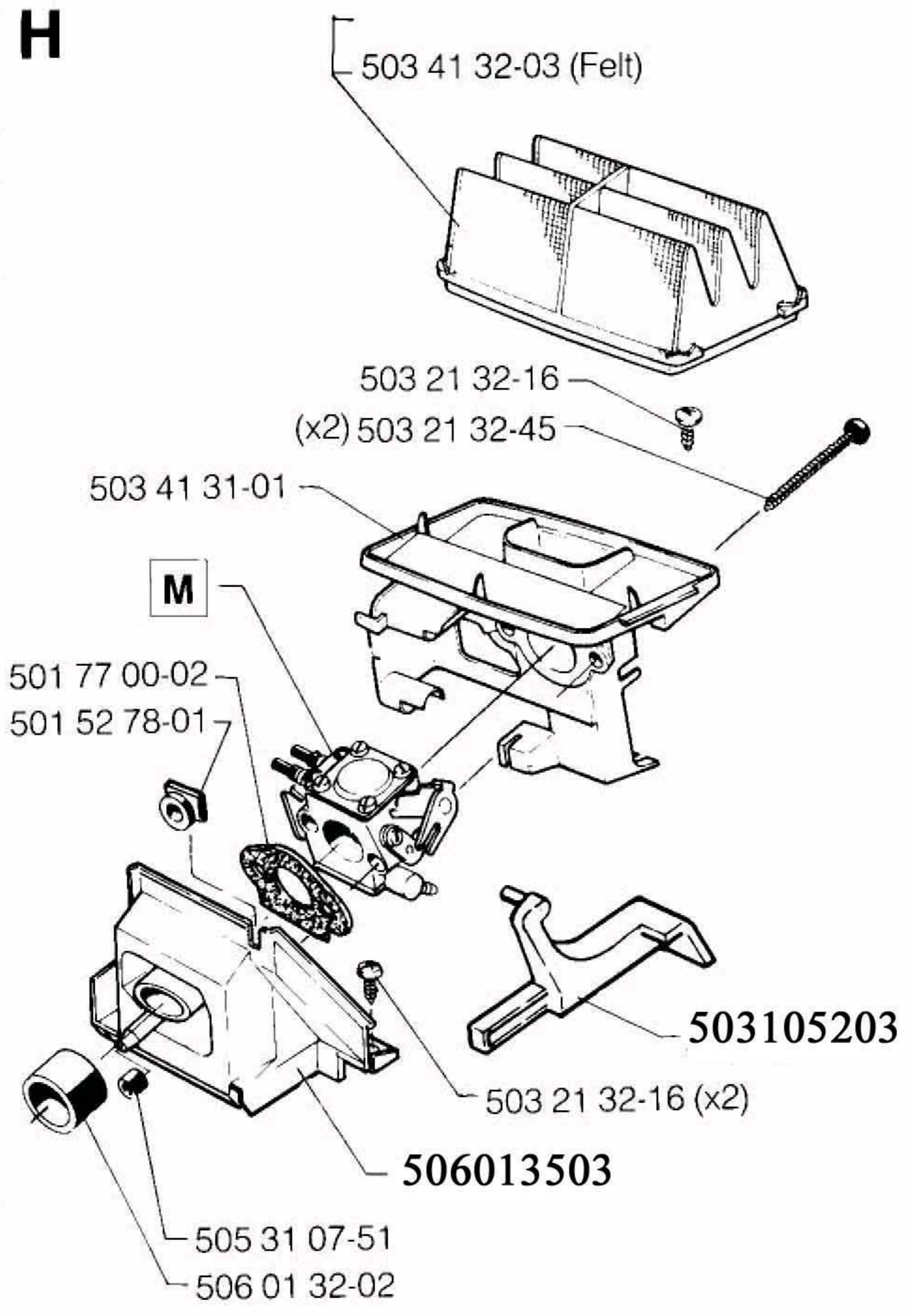
\* 506 01 31-01

503213230

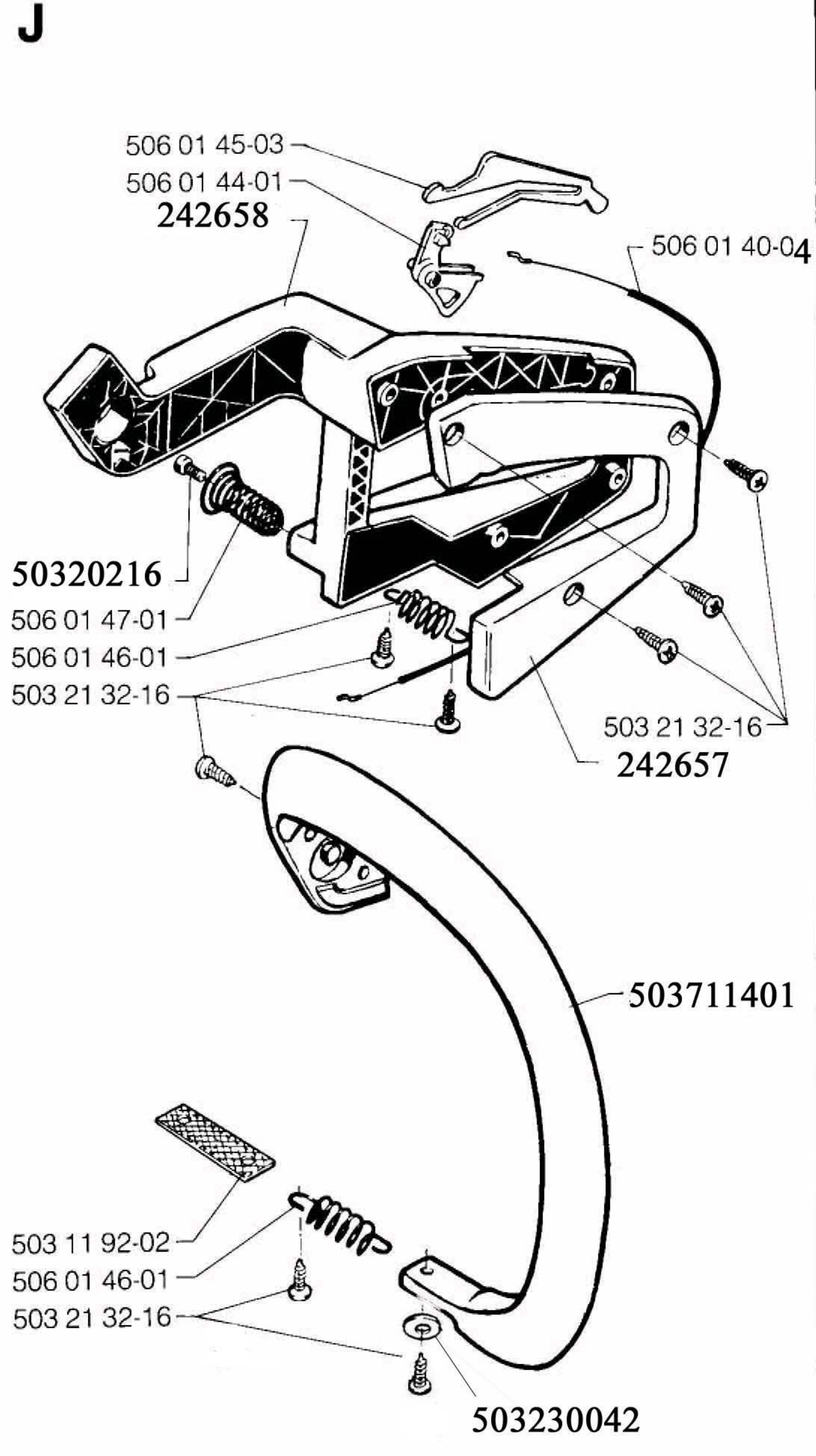
503748101



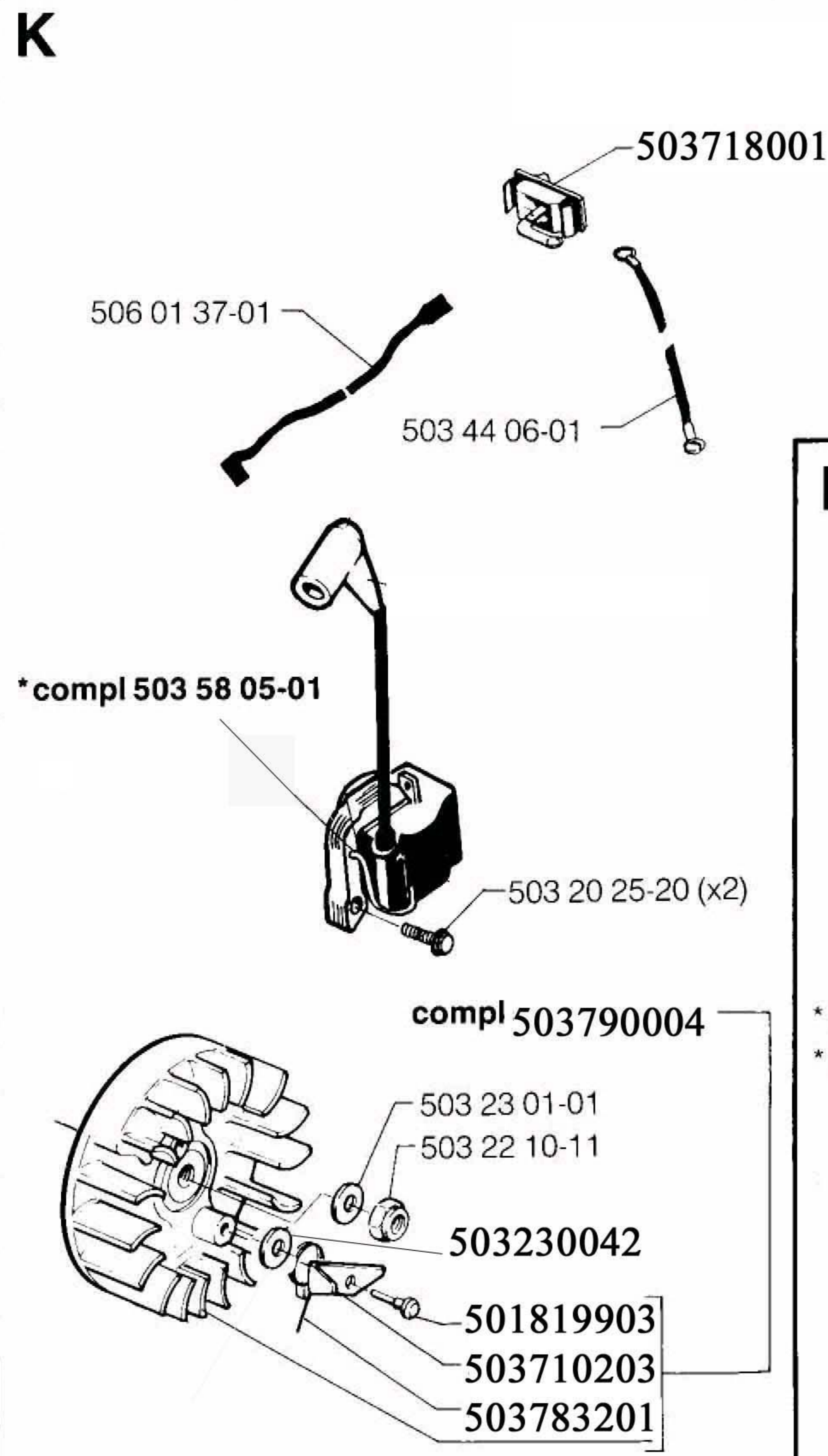
**H**



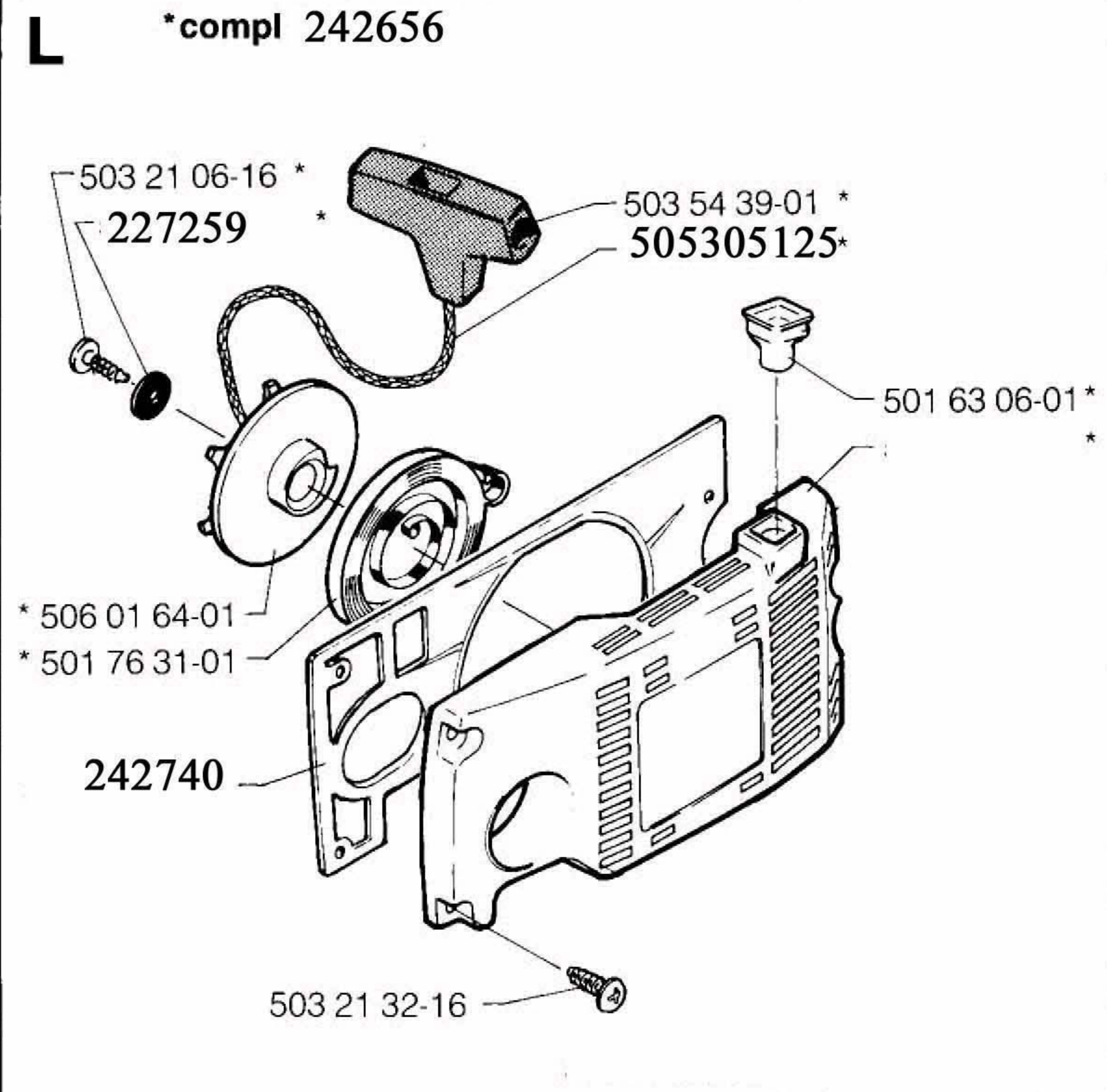
**J**



**K**

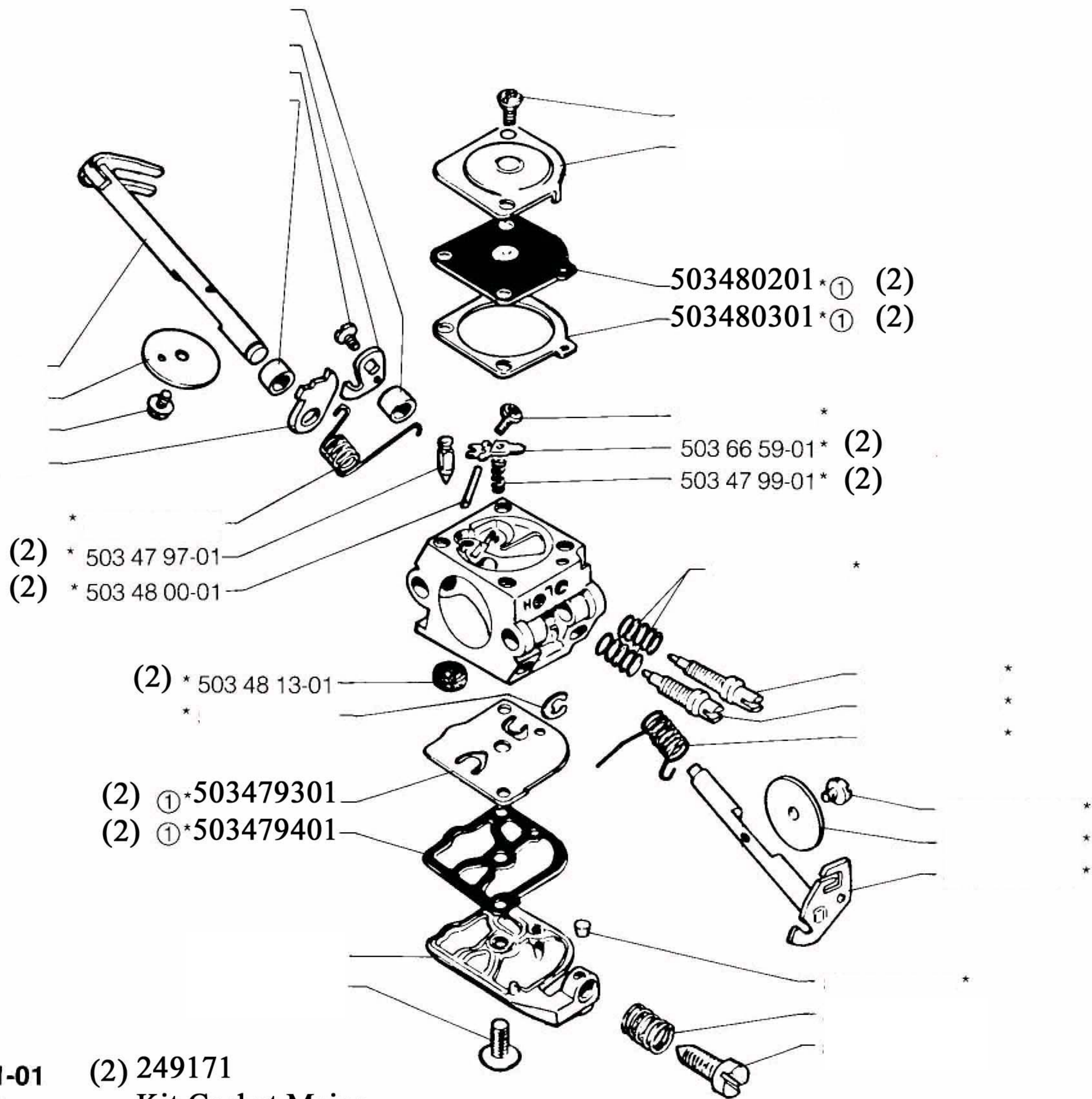


**L**



**M**

\* compl 503 28 31-01

**ZAMA C1Q-EL1**

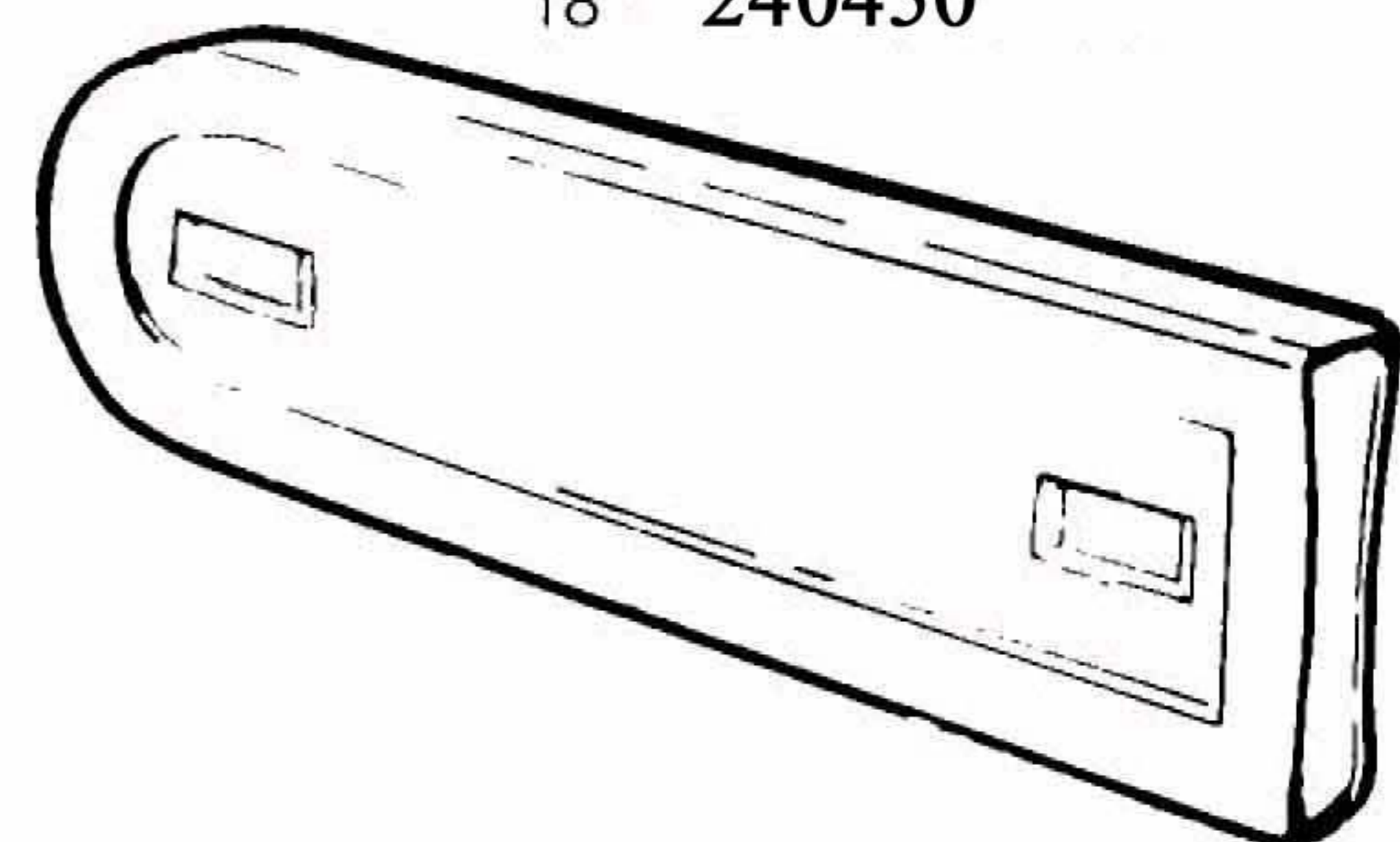
<sup>①</sup> 503 48 21-01  
 Packningsatts  
 Set of gaskets  
 Dichtungssatz  
 Jeu de joints  
 Juego de Juntas

(2) 249171  
 Kit Gasket Major  
 Zama RB 45

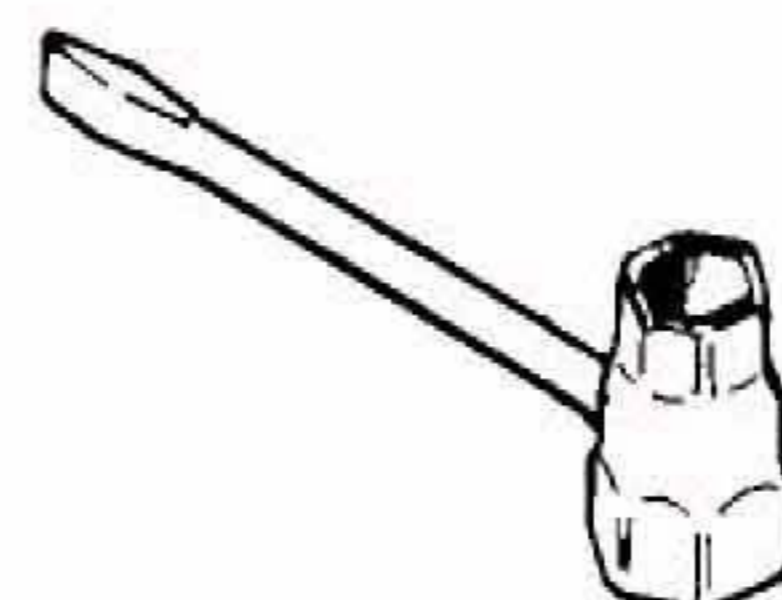
**N**

Tillbehör  
 Accessories  
 Zubehöre  
 Accessoires  
 Accesorios

13" 240111  
 16" 240112  
 18" 240450



506 01 49-01



- 227636